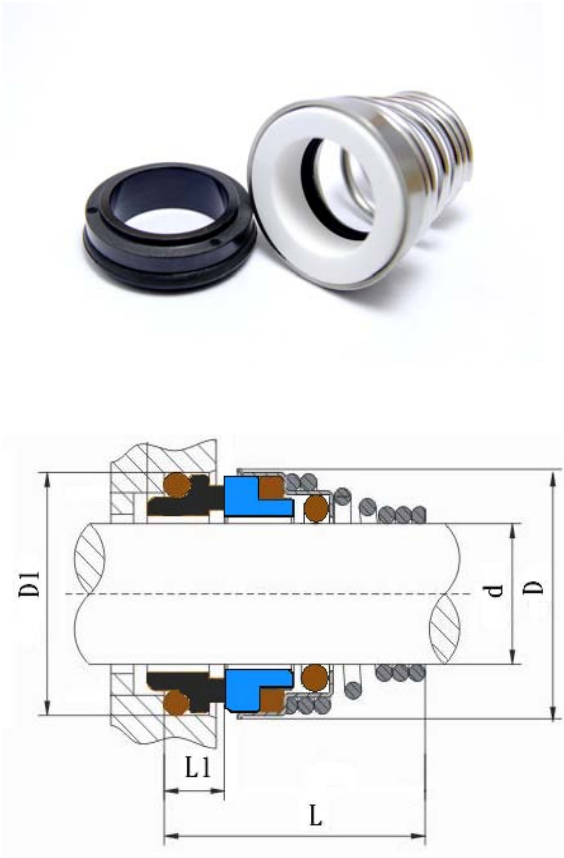


TYPE L



SPECIFICATION

Temperature : -20°C~100°C

Pressure : $\leq 8 \text{ kg/cm}^2$

Speed : $\leq 15\text{m/sec}$

d	D	D1	L	L1
10	20	18.1	20.5	5.5
11	22	20.6	23.5	5.5
12	22	20.6	23.5	5.5
13	25	23.1	28.0	6.0
14	25	23.1	28.0	6.0
15	29	26.9	30.0	7.0
16	29	26.9	30.0	7.0
17	29	26.9	30.0	7.0
18	33	30.9	32.0	8.0
19	33	30.9	33.0	8.0
20	33	30.9	33.0	8.0
21	38	35.4	33.0	8.0
22	38	35.4	33.0	8.0
23	38	35.4	35.0	8.0
24	38	35.4	35.0	8.0
25	40	38.2	35.5	8.5
28	46	43.3	39.0	9.0
29	46	43.3	39.0	9.0
30	46	43.3	39.0	9.0
32	46	43.3	39.0	9.0
33	48	53.5	50.5	11.5
35	50	53.5	50.5	11.5
38	58	60.5	50.5	11.5
40	58	60.5	50.5	11.5