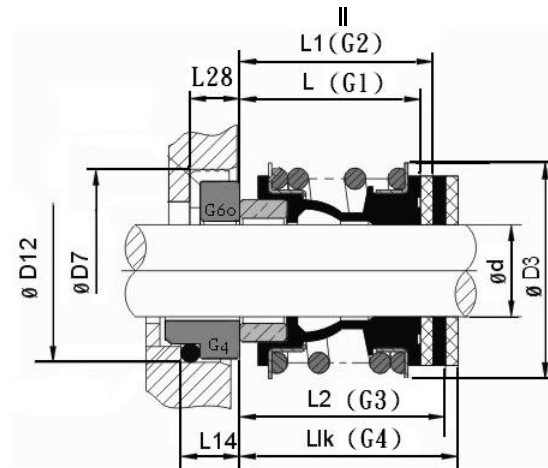
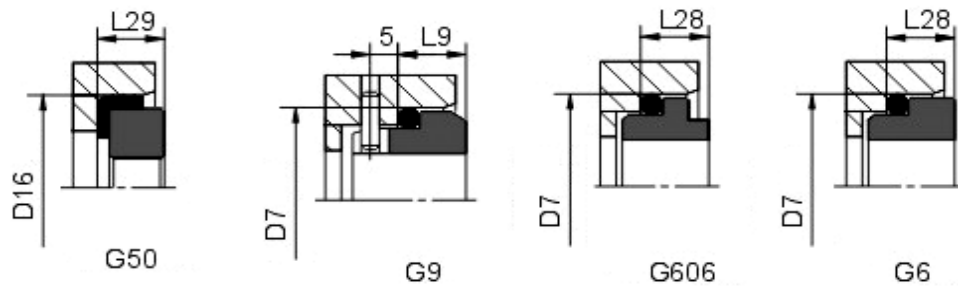


TYPE G



静環型式



USAGE

All type of rotating equipment, such as centrifugal pumps and agitators. For most general and light chemical duties, wherever an elastomer secondary seal can be used.

Specification

Temperature: $-30^{\circ}\text{C} \sim 220^{\circ}\text{C}$

Pressure: $\leq 12\text{kg/cm}^2$

Speed: $\leq 12\text{m/sec}$

d	D3	D7	D12	D16	L	L1	L2	L1K	L9	L14	L28	L29
10	22.0	21	19.2	24.60	14.5	25.0	25.9	33.4	10.0	6.5	6.5	9.0
12	24.5	23	21.6	27.80	15.0	25.0	25.9	33.4	10.0	5.5	6.5	9.0
14	28.0	25	24.6	30.95	17.0	25.0	28.4	33.4	10.0	5.5	6.5	10.5
15	28.0	27	24.6	30.95	17.0	25.0	28.4	33.4	10.0	6.5	6.5	10.5
16	28.0	27	28.0	30.95	17.0	25.0	28.4	33.4	10.0	7.5	6.5	10.5
18	31.5	33	30.0	34.15	19.5	25.0	30.0	37.5	11.4	8.0	7.5	10.5
19	36.5	35	35.0	34.15	21.5	25.0	30.0	37.5	11.4	7.5	7.5	10.5
20	36.5	35	35.0	35.70	21.5	25.0	30.0	37.5	11.4	7.5	7.5	10.5
22	36.5	37	35.0	37.30	21.5	25.0	30.0	37.5	11.4	7.5	7.5	10.5
24	42.0	39	38.0	40.50	22.5	25.0	32.5	42.5	11.4	7.5	7.5	10.5
25	42.0	40	38.0	40.50	23.0	25.0	32.5	42.5	11.4	7.5	7.5	10.5
28	48.5	43	42.0	46.65	26.5	33.0	35.0	42.5	11.4	9.0	7.5	12.0
30	48.5	45	45.0	50.80	26.5	33.0	35.0	42.5	11.4	10.5	7.5	12.0
32	53.0	48	48.0	50.80	27.5	33.0	35.0	47.5	11.4	10.5	7.5	12.0
33	53.0	48	50.0	54.00	27.5	33.0	35.0	47.5	11.4	11.0	7.5	12.0
35	56.5	50	52.0	54.00	28.5	33.0	35.0	47.5	11.4	11.0	7.5	12.0
38	58.5	56	55.0	57.15	30.0	33.0	36.0	46.0	14.0	10.5	9.0	12.0
40	61.5	58	58.0	60.35	30.0	33.0	36.0	46.0	14.0	10.8	9.0	12.0
42	65.0	61	62.0	63.50	30.0	36.0	41.0	51.0	14.0	12.0	9.0	12.0
43	65.0	61	62.0	63.50	30.0	36.0	41.0	51.0	14.0	12.0	9.0	12.0
45	67.5	63	64.0	63.50	30.0	36.0	41.0	51.0	14.0	11.5	9.0	12.0
48	70.0	66	68.4	66.70	30.5	36.0	41.0	51.0	14.0	11.5	9.0	12.0
50	73.5	70	69.3	69.85	30.5	38.0	41.0	50.5	15.0	11.5	9.5	13.5
53	78.0	73	72.3	73.05	33.0	36.5	41.0	59.0	15.0	12.5	11.0	13.5
55	80.5	75	75.4	76.20	35.0	36.5	41.0	59.0	15.0	13.5	11.0	13.5
58	85.0	78	78.4	79.40	37.0	41.5	41.0	59.0	15.0	13.5	11.0	13.5
60	88.0	80	80.4	79.40	38.0	41.5	41.0	59.0	15.0	13.5	11.0	13.5
65	93.0	85	85.4	92.10	40.0	41.5	49.0	69.0	15.0	13.0	11.0	16.0
68	96.0	90	91.5	95.25	40.0	41.2	49.0	68.7	18.0	13.7	11.5	16.0
70	99.0	92	92.0	95.25	40.0	48.7	49.0	68.7	18.0	13.0	11.5	16.0
75	106.5	97	99.0	101.60	40.0	48.7	52.0	68.7	18.0	14.0	11.5	16.0
80	111.5	105	104.0	114.30	40.0	48.0	56.0	78.0	18.3	15.0	12.0	20.0
85	119.5	110	109.0	117.50	41.0	46.0	56.0	76.0	18.3	15.0	14.0	20.0
90	126.5	115	114.0	123.85	45.0	51.0	59.0	76.0	18.3	15.0	14.0	20.0
95	131.5	120	120.3	127.00	46.0	51.0	59.0	76.0	17.3	16.0	14.0	20.0
100	136.5	125	123.3	133.35	47.0	51.0	62.0	76.0	17.3	16.0	14.0	20.0