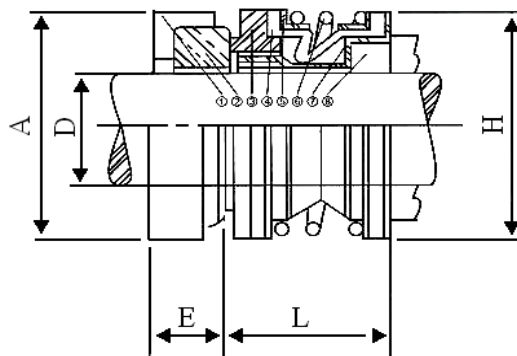


TYPE 5



Specification

Temperature : - 20°C ~ 200°C

Pressure : $\leq 5 \text{ kg/cm}^2$

Speed : $\leq 10 \text{ m/sec}$

Shaft D	A	H	L	E
1/2	25.400	26.970	16.660	7.925
5/8	31.750	30.937	18.290	10.287
3/4	34.925	34.112	18.290	10.287
1	41.275	42.850	20.630	11.100