

# TYPE 3MD

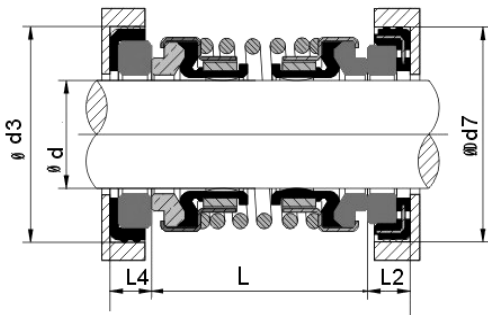


## Specification

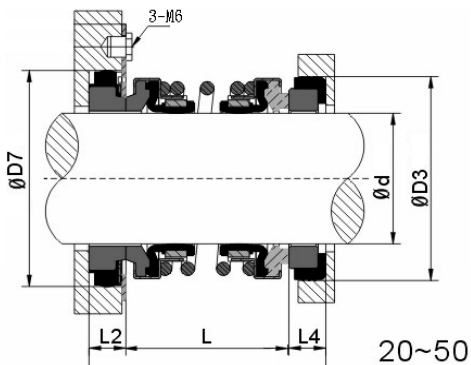
Temperature : - 50°C ~ 200°C

Pressure :  $\leq 5 \text{ kg/cm}^2$

Speed :  $\leq 10 \text{ m/sec}$



d	d3	d7	L2	L4	L
14	30	30	5	5	26
15	30	30	5	5	26



d	D3	D7	L2	L4	L
20	38	38/44	9.0	8.0	30.7
25	44	44/50	9.0	8.5	33.5
30	50	50/57	9.5	9.5	42.0
35	58	64	9.5	10.5	44.0
40	64	70	11.0	9.0	44.0
45	66	70	10.0	9.0	46.0
50	72	80	10.0	9.0	50.5