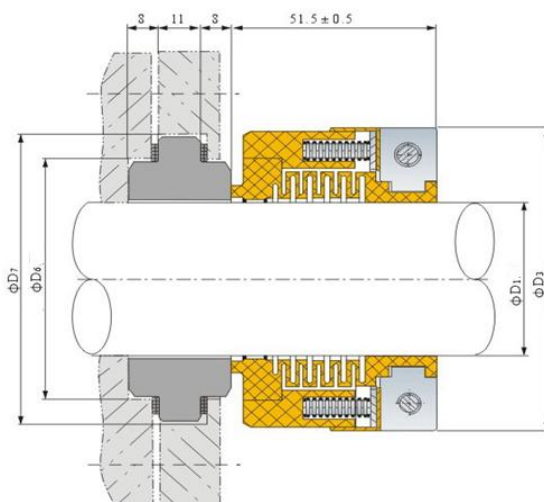


TYPE 551



Specification

Temperature : $-20^{\circ}\text{C} \sim 125^{\circ}\text{C}$

Pressure : $\leq 5 \text{ kg/cm}^2$

Speed : $\leq 14 \text{ m/sec}$

D1	D3	D6	D7
30	74	54.0	68
35	79	58.0	71
40	84	63.0	77
45	89	70.0	84
50	96	73.0	87
60	106	86.0	102