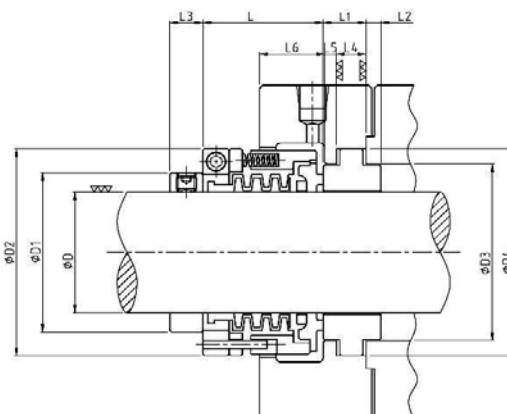


# TYPE 550



## Specification

Temperature : - 10°C ~ 120°C

Pressure :  $\leq 4.5 \text{ kg/cm}^2$

Speed :  $\leq 15 \text{ m/sec}$

D	D1	D2	D3	D4	L	L1	L2	L3	L4	L5	L6
20	34	54.0	42	55	38.8	14	4	11	10	3	20
25	39	57.2	45	58	38.8	14	4	11	10	3	20
30	44	63.5	50	63	39.6	14	4	11	10	3	20
35	49	66.7	55	68	45.1	14	4	11	10	3	25
40	56	76.2	60	74	46.0	15	5	13	10	4	25
45	61	79.4	65	79	46.0	15	5	13	10	4	25
50	66	85.7	72	87	48.3	18	6	13	12	5	25
55	71	88.9	80	95	48.3	18	6	13	12	5	25
60	78	106.4	86	101	63.1	18	6	13	12	5	35
65	83	109.5	92	107	63.1	21	7	13	14	6	35
70	90	115.9	96	111	63.9	21	7	13	14	6	35
75	95	122.2	101	116	63.9	23	7	13	16	6	35
80	100	133.4	106	121	78.2	23	7	13	16	6	45
85	105	139.7	114	129	78.2	23	7	13	16	6	45
90	110	142.9	122	137	79.0	23	7	14	16	6	45
95	115	149.2	127	142	79.0	23	7	14	16	6	45
100	120	152.4	132	147	79.0	23	7	14	16	6	45