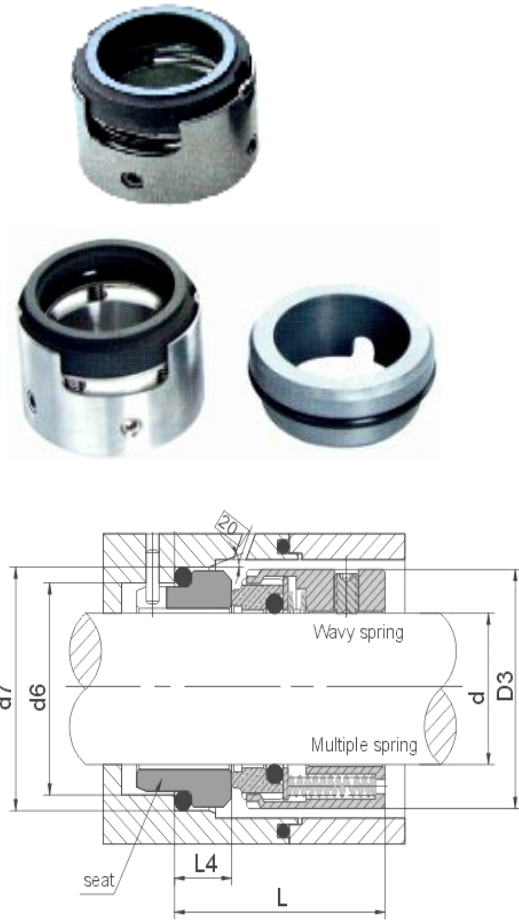


# TYPE M7N



## Specification

Temperature: -30°C ~ 220°C

Pressure:  $\leq 16 \text{ kg/cm}^2$

Speed:  $\leq 20 \text{ m/sec}$

d	d3	d6	d7	L	L4
14	25	21	25	35.0	10
16	27	23	27	35.0	10
18	33	27	33	37.0	11.5
20	35	29	35	37.0	11.5
22	37	31	37	37.0	11.5
24	39	33	39	40.0	11.5
25	40	34	40	40.0	11.5
28	43	37	43	42.5	11.5
30	45	39	45	42.5	11.5
32	47	42	48	42.5	11.5
33	48	42	48	42.5	11.5
35	50	44	50	42.5	11.5
38	55	49	56	45.0	14
40	57	51	58	45.0	14
43	60	54	61	45.0	14
45	62	56	63	45.0	14
48	65	59	66	45.0	14
50	67	62	70	47.5	15
53	70	65	73	47.5	15
55	72	67	75	47.5	15
58	79	70	78	52.5	15
60	81	72	80	52.5	15
63	84	75	83	52.5	15
65	86	77	85	52.5	15
68	89	81	90	52.5	18
70	91	83	92	60.0	18
75	99	88	97	60.0	18
80	104	95	105	60.0	18.2
85	109	100	110	60.0	18.2
90	114	105	115	65.0	18.2
95	119	110	120	65.0	17.2
100	124	115	125	65.0	17.2