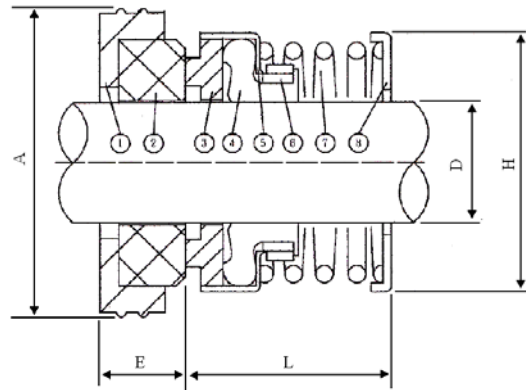


TYPE 3



Specification

Temperature : - 20°C ~ 200°C

Pressure : $\leq 7 \text{ kg/cm}^2$

Speed : $\leq 10 \text{ m/sec}$

Shaft D	A	H	L	E
8	18/21	17.6	13.0	5.0
9	24	21.3	16.0	7.0
10	24	21.3	16.0	7.0
11	24	21.3	16.0	7.0
12	26	23.8	17.0	7.0
14	28	27.0	18.5	6.5
15	28	27.0	18.5	6.5
16	32	27.0	20.0	7.0
17	32	30.1	19.0	8.0
18	35	30.1	18.0	8.0
19	35	30.1	18.0	8.0
20	38	33.3	20.0	8.0
22	40	33.3	19.5	8.5
25	44	40.0	20.5	8.5
28	46	46.0	21.5	8.5
30	50	49.2	22.0	9.0
32	54	49.2	24.0	9.0
35	58	52.3	25.5	10.5
38	60	55.5	26.5	10.5
40	64	63.5	27.0	11.0
45	66	66.6	29.0	11.0
50	72	73.0	31.0	11.0
53	73	74.0	33.3	14.2

Shaft D	A	H	L	E
3/8	22.225	20.625	20.650	7.925
1/2	25.400	23.800	20.650	7.925
5/8	31.750	26.970	22.213	10.287
3/4	34.925	30.150	18.288	10.287
7/8	38.100	33.325	23.813	10.287
1	41.275	42.850	25.400	11.100
1-1/8	44.450	46.025	26.970	11.100
1-1/4	47.625	49.200	26.970	11.100
1-3/8	50.800	52.375	28.580	11.100
1-1/2	53.975	55.550	28.580	11.100
1-5/8	60.325	63.500	34.925	12.700
1-3/4	63.500	66.675	34.925	12.700
1-7/8	66.675	69.850	38.100	12.700
2	69.850	73.025	38.100	12.700
2-1/8	76.200	75.000	43.000	14.300
2-1/4	79.400	79.000	43.000	14.300
2-3/8	82.600	82.000	46.000	14.300
2-1/2	85.700	86.000	46.000	14.300
2-5/8	85.700	91.500	49.000	16.000
2-3/4	88.900	91.500	49.000	16.000
2-7/8	95.300	99.000	52.500	16.000